

LUGN

Acoustic panel



AESTHETIC BENEFITS

Cover fabric on 5 sides (frame not visible)
Removable cover fabric

TECHNICAL BENEFITS

Certified acoustic performance:
NRC = 0.95 - SAA = 0.95 - Class A - Test report (EEA)
Fire-rated (Twist Melange):
ASTM E84 CLASS B
CAN/ULC S102
Removable cover fabric
Uses: on the wall - horizontal suspension
Large size

Acoustic panel

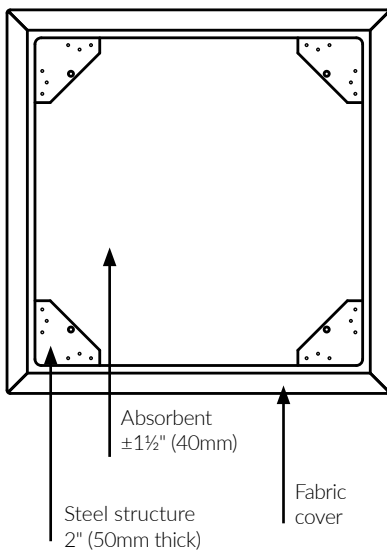
The Lugn acoustic panel RECTO consists of a steel or wooden frame and an absorbent covered with a fabric cover on 5 sides.

FIXINGS			FINISHES: TWIST MELANGE (Trevira CS - 100% polystester)				FIRE-RATED
On the wall	Horizontal suspension	Horizontal suspension					ASTM E84 CLASS B
			TM 60021	TM 62066	TM 67004	TM 65018	
magnets	Cables (height adjustable)	magnets					CAN/ULC S102 FSV = 55 SDV=140
			TM 61104	TM 64013	TM 60076		

Please note that samples finishes are look different from the real coating finishes.

LUGN PANEL

DIMENSIONS & AVERAGE WEIGHTS

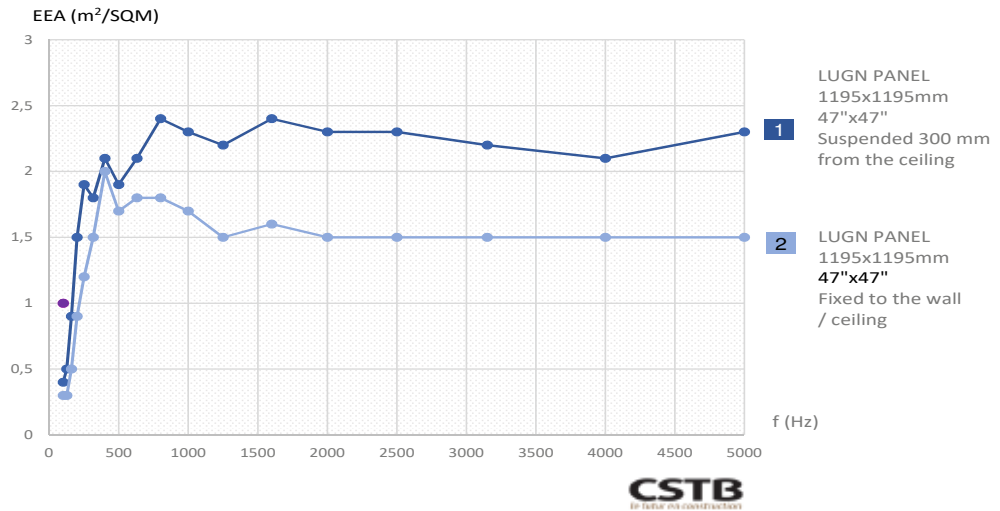


width x height x thickness		AVERAGE WEIGHTS Without packaging	
23½" x 47" x 2"	600 x 1195 x 50mm	10.5lbs	4,8kg
47" x 47" x 2"	1195 x 1195 x 50mm	14.5lbs	6,5kg
47" x 70¾" x 2"	1195 x 1795 x 50mm	21lbs	9,5kg
47" x 94½" x 2"	1195 x 2390 x 50mm	24.25lbs	11kg

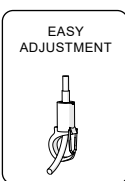
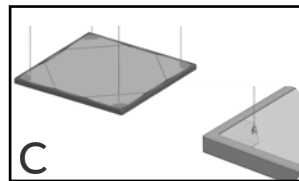
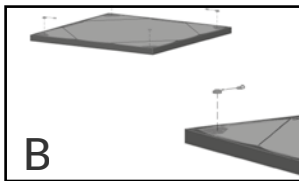
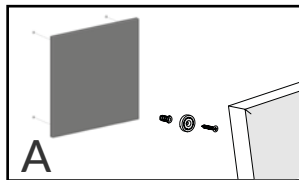
LUGN PANEL ACOUSTIC

The Equivalent Absorption Area (EAA) of an element (A) is expressed in sqm. It characterises the absorptency of the element per frequency band: the higher the value, the greater the absorptency of the element.

f (Hz)	EEA (m ² /SQM)	
	1	2
100	0,4	0,3
125	0,5	0,3
160	0,9	0,5
200	1,5	0,9
250	1,9	1,2
315	1,8	1,5
400	2,1	2,0
500	1,9	1,7
630	2,1	1,8
800	2,4	1,8
1000	2,3	1,7
1250	2,2	1,5
1600	2,4	1,6
2000	2,3	1,5
2500	2,3	1,5
3150	2,2	1,5
4000	2,1	1,5
5000	2,3	1,5



LUGN PANEL FIXING SYSTEMS



	FIXING SYSTEMS (references)	Estimated installation time
A - WALL <i>Direct fixing with magnets on plaster or wooden wall.</i>	KITFIMURALE	15mn
B - CEILING <i>Direct fixing with magnets on the ceiling.</i>	KITFIAIMPB	20mn
C - HORIZONTAL SUSPENSION <i>Fixing with cables from the ceiling.</i> <small>Provided cable length: 2m</small>	Plaster or wood: KITFIHORPB	15 to 30mn <small>(depending on the support)</small>